

## INDIGENOTES

ISSUE NUMBER 11, MARCH 1988.

### **March Meeting**

Tuesday March 29th at 8 p.m. at the Environment Centre, first floor, Ross House, 247 Flinders Lane, Melbourne (between Swanston and Elizabeth Streets). To get in, press the doorbell on the right hand side of the door. Don't forget to bring something for show and tell.

### **April Meeting**

Tuesday April 26th at 8 p.m. at the Environment Centre.

### **Articles**

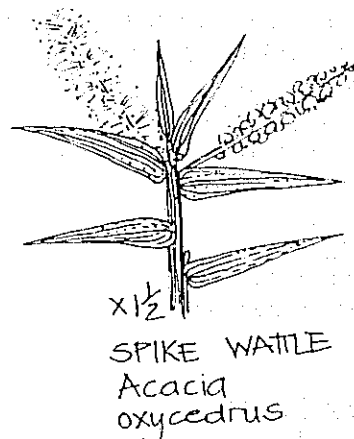
Contributions to indigenotes are most welcome. Send them to the newsletter coordinator, Tony Faithfull, 10 Alsace Street, Brunswick East 3057.

### **Memberships**

IFFA membership costs \$20 for families and groups, or \$10 for individuals. Memberships should be sent to the Treasurer, Dale Tonkinson, C/o Botany Department, La Trobe University, Bundoora 3083.

### **CONTENTS:**

<b>February meeting report</b>	<b>2</b>
<b>Coming Events</b>	<b>4</b>
<b>Seed Collecting Times for a Range of Species from the Melbourne Area</b>	<b>5</b>
<b>Planting Support</b>	<b>7</b>



**President:** Geoff Carr (03) 4894191 (w)  
**Secretary:** Michele Arundell (03) 6494434

Registered by Australia Post - Publication  
 Number VBH8638.

# February Meeting Report

## Welcome:

Welcome to new members and the guests from the Orchid Species Society of Victoria.

## I.F.F.A. Leaflet:

Dale agreed to pick up 2,000 of the IFFA coloured National Trust Newsletter leaflet inserts from Tasma Terrace.

## T-Shirts:

A range of T-shirts were available at the meeting for those who ordered them, at a cost of \$8.50, payable to Dale. Graham asked who was interested in windcheaters at a cost of approximately \$14.90 plus \$3 to \$4 margin. Graham was thanked for his assistance.

## Memberships:

Tony will arrange the purchase of overdue and complimentary stamps.

## Conferences:

Weeds on Public Land May 19-20: Geoff emphasised that we need representatives in the audience to ask important and specific questions.

Australia's Ever-changing Forests (see p 4)

Dale agreed to compile a list of conferences monthly for inclusion in the newsletter.

## Newsletter:

Tony reported that he intended to register the newsletter so that they cost 23 cents each to post; the registration fee is \$40. Graham suggested that we should be printing 300-400 newsletters and be using them as complimentaries. Val agreed to co-ordinate the mailouts. Michele agreed to keep and maintain the mailing list.

## Registration of vegetation remnants:

Geoff spoke to the Landscape Office of the National Trust in October and suggested that they establish and maintain a Register of Vegetation Remnants. They were very enthusiastic. Rob Scott will follow this up. Geoff suggested that Rob might form a sub-committee to work on this; Trish, Adrian and others to see Geoff in this regard.

## Booklet Committee:

Tym reported on the progress of the book. They have met and Tym will write to the various authors asking them to proceed with their input.

## Sorting Pressed Plants:

Geoff needs help if you're interested.

## Revegetation Conference at Creswick:

Dale reported that he and Geoff attended the conference and that a group was formed at the end to send results. However, Geoff reported that the group seems to have atrophied.

## Native Orchid Conservation:

Dale reported on the Australian Native Orchid Society (ANOS). The conservation group meets irregularly. It is aware of the various rare orchid sites threatened by subdivisions and has attempted rescue operations. In the past a number of people have removed orchids for their private collections and purposes, therefore the group has drafted a set of aims, objectives and further ideas, which include seeking advance notice of disturbance, and rules for rescue. Dale suggested that IFFA write to ANOS commending them on this progress, and offering help with re-establishment sites.

Bob McDonald suggested that the information on the proposed register of remnant vegetation should be sourced from groups like ANOS and be available to the relevant land management organizations.

Dale agreed to write on behalf of IFFA.

Linda Rogan, from the Orchid Species Society, Orchid Conservation Subcommittee, spoke for the Society, and explained that the society is interested in conserving orchid species world-wide and that her role at the meeting is to find out about sources of information. The Society is mainly composed of orchid growers, it is about six years old and in the last few years the group has become aware of more need for conservation.

The President of the society spoke, emphasising the need for conservation of habitat. He also expressed his reservations about rescue operations and the subsequent difficulties that have arisen. He requested assistance for action on conservation issues e.g. speakers and lobbying etc. He commented that the Society may be able to assist with expertise for surveys. Geoff offered speakers on behalf of IFFA.

Discussion continued on the issue of cultivation as a conservation measure.

## Propagation Query:

*Spyridium parvifolium*: stores seed in soil en masse and after fire there is mass germination. Thus for

**Operation Revegetation Autumn Stocklist:**

Dale congratulated Andrew Paget for getting Operation Revegetation off the ground (so to speak!). Dale is concerned that OR perhaps shouldn't try to grow all the native grasses from the Melbourne region and then market them all over Melbourne, due to the need to plant local provenance stock due to gene pool differences within the Melbourne area.

Graham suggested we express our concern to Andrew directly, and find out OR's position. Tym brought up the wider issue of the shortage of supplies and the difficulty of producing truly local stock.

Bob suggested the need for a forum on local species nurseries.

Michele offered to follow up the registration of "Local Native Plants" as a business name.

**Finances:**

\$40 for registration of the newsletter to Australia Post

\$100 for meeting room booking for 1988 to Ross House.

\$109.08 for newsletter photocopying to the Environment Centre.

\$88.67 for newsletter postage and expenses to Tony Faithfull.

Finances were approved for payment.

**Victorian Indigenous Nurseries Cooperative:**

Roger Jones advised that he was leaving VINC, and introduced Murray Ralph, the person now mainly responsible for VINC's continuation.

**Mowing of native grasses at Wattle Park:**

John Reid told of yet another horror!

**Hawthorn City Council and Indigenous Gardens:**

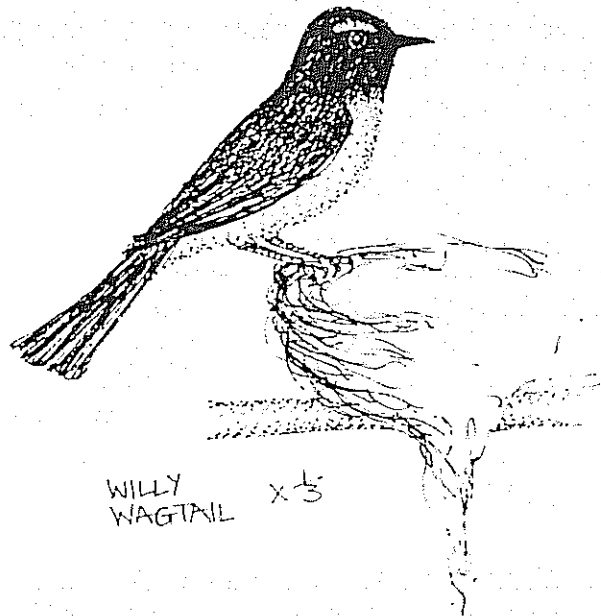
Geoff Carr recounted the ridiculous hassles he has with the Hawthorn City Council sending him a fire control notice for his home in Hawthorn. On ringing the By-Laws Officer he was advised that there was no right of appeal except to the Town Clerk. The Town Clerk was very unsympathetic. Geoff has approached the ombudsman. Stand by for further news.

**Green's Bush:**

Bob McDonald reported on Greens Bush. Outrageous things are happening, with the government buying the wrong land, donations going into general revenue, and the Greens bulldozing and ploughing heathland to destroy its conservation value. Geoff has prepared a botanical report and received the meeting's permission to publish it under IFFA's name. To distribute the report may cost \$400. Bob suggested that IFFA should discuss having funding for these necessary and important costs and possibly contributions for individuals who provide time and effort. There is an urgent need for a thorough biological survey.

**Show and Tell:**

This was deferred due to the lateness of the hour.



# Coming Events

## Seaweeds (Saturday 26th March)

FNCV Botany Group excursion to Black Rock. Leader: Hilary Weatherhead. Contact: Miss Margaret Potter (03) 292779.

## IFFA meeting (March 29th, 8 p.m.)

## Third World Environment Issues

(March 29th at 6.30 p.m.). Talk by John Seed from the Rainforests Information Centre, P.O. Box 368 Lismore NSW 2480, at the RMIT Union Function Room, Swanston Street, Melbourne.

## Ned's Corner Mammal Survey (Friday 1st to Tuesday 5th April)

FNCV Mammal Survey Group easter survey camp to Ned's Corner in far northwest Victoria. Contact Julian Grusovin (03) 211 4997.

## East Gippsland Camp (1st to 6th April)

East Gippsland Coalition Easter Camp near the magical forests of Errinundra and the Rodger River. Cost \$10/\$5 per night, kids free; come for the whole time or just a few days. Activities include guided walks in the forests, spotlighting, seeing how the timber industry really works. Contact the East Gippsland Coalition: phone (03) 654 4833. Limited places - book early.

## Applied Ecology and Conservation Seminar Series (6th April to 22nd June)

Wednesdays 7 - 10 pm, room 217 Behavioural Sciences Building, La Trobe University, Bundoora. Contact La Trobe University Wildlife Reserves, Phone (03) 4792871.

## Catastrophes, Extinctions and Evolution (8 pm Wednesday 6th April)

FNCV Geology Group meeting at the Astronomers Residence, Birdwood Ave, South Yarra. Speaker: Max Campbell. Contact: Helen Bartoszewicz (03) 3115106 a.h.

## Captive Animal Management in Australasian Zoos (8 pm Tuesday 12th April)

FNCV Mammal Survey Group meeting at the Astronomers Residence, Birdwood Avenue, South Yarra. Speaker: Peter Myroniuk. Contact: Julian Grusovin (03) 2114997.

## Eucalypts and their environment (8pm Thursday 14th April)

FNCV Botany Group meeting. Speaker: Pat Carolan. Contact: Margaret Potter (03) 292779.

## Diplachne fusca - A Grass for Saline Rehaulitation (Friday April 22nd at 3.30 pm)

Dr Bronwen Myers from the Institute for Irrigation and Salinity Research, Tatura, will give a seminar at the Horticultural Research Institute, Knoxfield.

## Eucalypts (Saturday 23rd April)

FNCV Botany Group excursion. Contact: Margaret Potter (03) 292779.

## Explore East Gippsland Tour (23rd April - 1st May)

East Gippsland Coalition guided discovery tour in Victoria's last wild forests. Cost \$650, which includes all transport, food, tent accomodation and guides. Contact: John Stone (03) 6544833.

## IFFA meeting (April 26th)

## ANZAAS Centenary Congress (May 16th - 20th)

Some interesting sessions are 'The educational role of botanic gardens', and 'Science, technology and wetland management in Australia'. Sydney University. Contact: Mr B. O'Rourke, Organizing Secretary, ANZAAS Centenary Congress, 118 Darlington Rd, University of Sydney, NSW 2006.

**Genetics Society of Australia Annual Conference (16th - 18th May)** La Trobe University. Some sessions of possible interest to genetically minded IFFA members. Contact Dale Tonkinson (03) 4792498 w, or Yvonne Fripp, La Trobe University Genetics Department. Pamphlets will be available at the next IFFA meeting.

**Weeds on Public Land - An action plan for today (May 19th and 20th)** A symposium presented by the Weed Science Society of Victoria Inc. and the School of Environmental Sciences, Monash University. Contact: Madelon Lane, c/o Keith Turnbull Research Institute, P.O. Box 48, Frankston 3199. Phone (03) 7850111.

**Botanical History Symposium: The Development of Systematic Botany in Australasia. (25th - 27th May)** Ormond College, Melbourne University. Organized by the Australian Systematic Botany Society. Contact Ms Buzz McCarthy, Bloomsbury Conference Services, (03) 4281983.

**Australian Ecosystems: 200 Years of Utilization, Degradation and Reconstruction. (28th August - 2nd September)** Ecological Society of Australia Symposium, Geraldton Western Australia. Contact: Dr. R. A. How, Symposium Secretary, Ecological Society of Australia, Western Australian Museum, Francis Street, Perth W.A. 6000.

## **Seed Collecting times for a range of species from the Melbourne area**

**By Murray Ralph of Victorian Indigenous Nurseries Cooperative, 8 Lee Street, Brunswick East.**

This list has been put together from VINC's seed collecting records compiled over the last few years and from the experience of the Melbourne based National Seed Collection Project Group. Times given are the most likely periods for seeds of a particular species to be collected, however, depending on conditions seeds may ripen earlier or later. Careful observation over time is the key to success. It is also important to keep in mind that seed crops vary greatly from year to year.

### **Woody Species:**

*Acacia* species - most acacias in the Melbourne region mature around late December and early January. Seed on most species drop soon after maturity so close attention is warranted.

*Acacia acinacea* - late Dec to early Jan  
*A. dealbata* - late Dec  
*A. genistifolia* - late Dec  
*A. implexa* - Jan to Feb  
*A. melanoxylon* - late Dec to late Feb  
*A. mucronata* - mid Dec to Feb  
*A. paradoxa* - late Dec to early Jan  
*A. pycnantha* - late Dec to early Jan  
*A. reitinoidea* - Nov to Feb  
*A. verniciflua* - mid Dec to Jan  
*A. verticillata* - mid Dec to Jan

*Allocasuarina* species seed tends to be persistent, and can be collected all year round. Summer to Autumn tends to be the best time as the current year's crop matures around this time.

*Allocasuarina luehmanni* seed is not persistent.

**(continued on page 6)**

## Seed Collecting Times (Continued)

*Banksia marginata* - late Dec to Jan  
*Bursaria spinosa* - usually March to early April  
*Cassinia* species - Jan to Feb  
*Coprosma quadrifida* - Jan to Mar  
*Davesia* species - Dec to Jan  
*Dillwynia* species - mid Dec to Jan  
*Dodonea* species - Dec to Jan  
*Eucalyptus* species - vary throughout the year from species to species, with some species having persistent seed (indicated by a (P)) \*  
*Eucalyptus behriana* - Oct to Dec  
*E. camaldulensis* - Mar to Sept  
*E. cypellocarpa* - Jan to June  
*E. dalrympleana* - Dec to May  
*E. dives* - (P)  
*E. leucoxylon* - Feb to June  
*E. macrorhyncha* - Dec to Feb (P)  
*E. melliodora* - Summer to Autumn  
*E. microcarpa* - Summer to Autumn  
*E. muellerana* - Dec to Feb (P)  
*E. obliqua* - Dec to Mar (P)  
*E. ovata* - Summer to Autumn (P)  
*E. polyanthemos* - Mar to June  
*E. radiata* - Dec to Feb (P)  
*E. rubida* - Feb to May  
*E. viminalis* - July to Jan  
*E. yarraensis* - variable  
*Gynatrix pulchella* - Dec to Jan  
*Indigofera australis* - Mid Dec to Jan  
*Hymenandra dentata* - mid Dec to Feb  
*Myoporum viscosum* - Dec to Feb  
*Nicotinia suaveolens* - Dec to Jan  
*Olearia* species - Nov to Jan  
*Platylobium obtusangulum* - mid Dec to Jan  
*Pomaderris aspera* - Jan  
*Viminaria juncea* - Jan to Feb

## Herbs

*Acaena* species - Dec to Jan  
*Brachycome* species - Dec to Feb  
*Brunonia australis* - mid Dec to mid Jan  
*Calotis scaboisifolia* - Jan to Feb  
*Convulvulus erubescens* - Dec to Jan  
*Helichrysum* species - late Nov to Feb  
*Geranium* species - Dec  
*Glycine* species - mid Dec to Jan  
*Leptorhynchos squamatus* - mid Dec to mid Jan  
*Teucrium corymbosum* - Dec to Jan  
*Vellea paradoxa* - Dec to Jan  
*Vittadinia* species - Dec to Jan  
*Wahlenbergia* species - late Dec to Jan

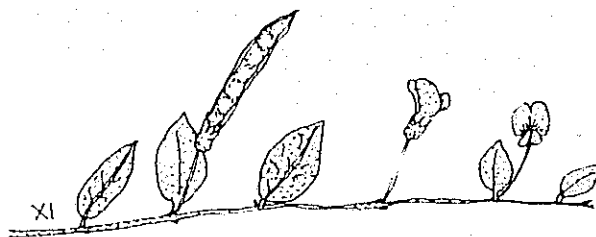
## Grasses

*Chloris truncata* - mid Dec to Jan  
*Danthonia* species - Dec to Jan  
*Poa* species - mid Dec to Jan  
*Stipa* species - late Nov to Jan  
*Themeda* species - mid Dec to Jan

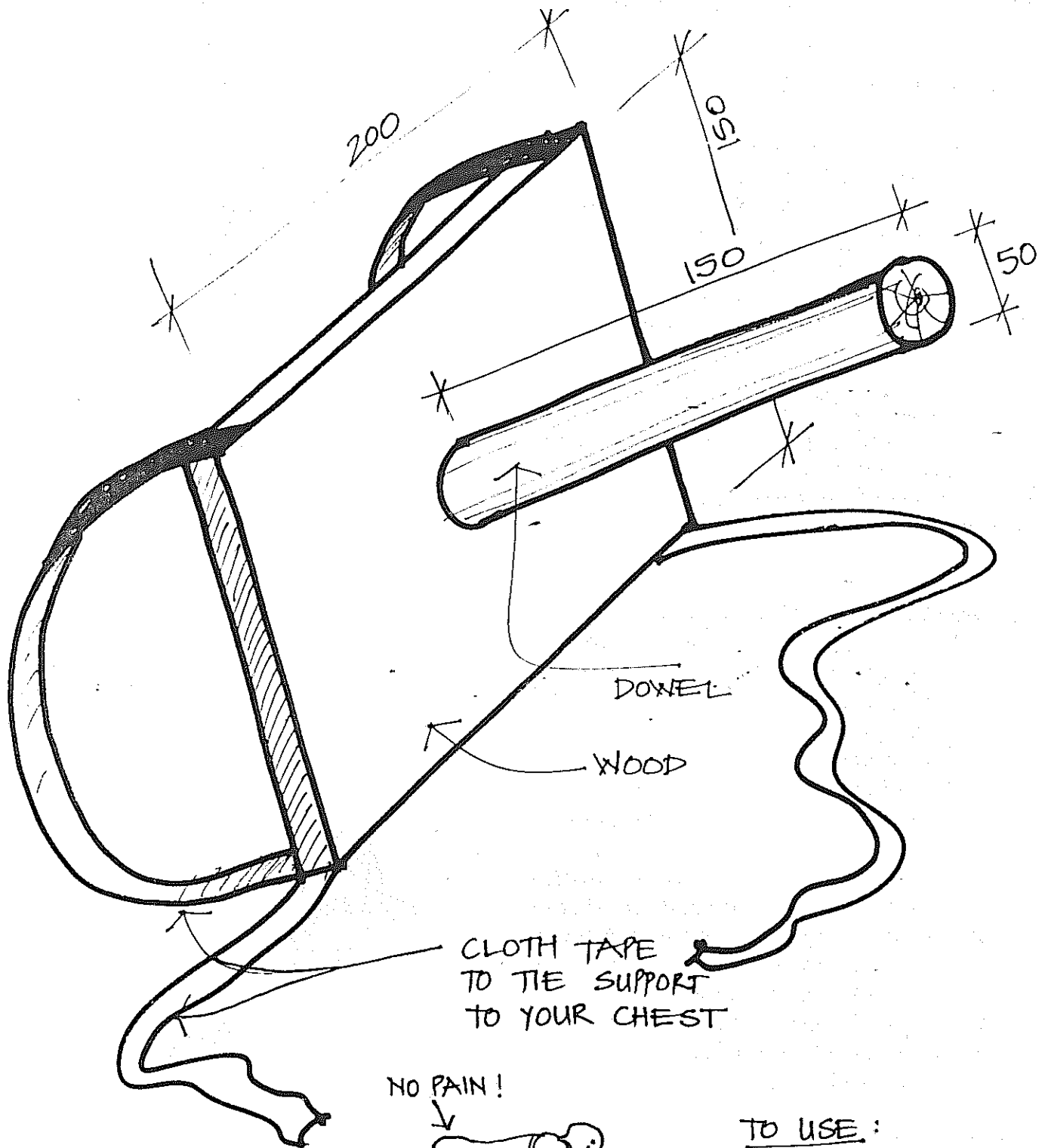
## Groundcovers and climbers

*Bossiaea prostrata* - Dec  
*Clematis microphylla* - Dec to Jan  
*Eutaxia microphylla* - Dec to Jan  
*Hardenbergia violacea* - Dec to Jan  
*Kennedia prostrata* - Dec

\* "Eucalyptus seed", a CSIRO publication by Boland, Brooker and Turnbull used as a reference.



CREeping BOSSIAEA  
*Bossiaea prostrata*



TO USE:

WEAR LIKE A BRA WHEN PLANTING OR WEEDING etc WHEN KNEELING OVER. SUPPORTS CHEST, LEAVES HANDS FREE & REMOVES STRAIN ON LOWER BACK.

# PLANTING SUPPORT

ANDREW PAGET PH: 758.5416

## What is IFFA?

The indigenous Flora and Fauna Association (IFFA) is a body of professional and amateur biologists actively involved in the conservation of flora and fauna. IFFA provides well considered and qualified comment on issues affecting or involving indigenous biota, its ecology, and the environment.

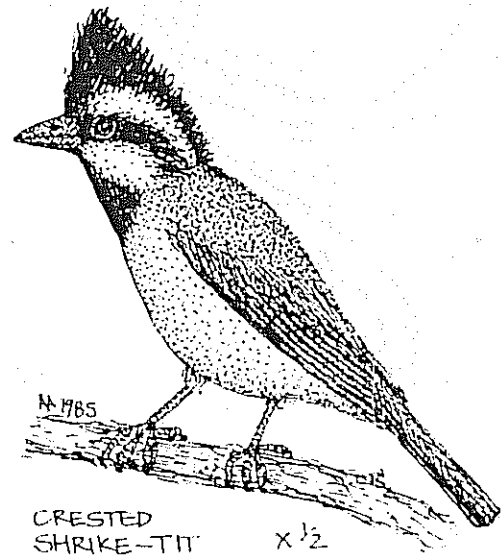
The association is committed to the conservation of all indigenous flora and fauna, and the preservation of all remnant and roadside vegetation (not just that contained in National and State Parks, and areas classified for specific significance). Preservation through management and restoration is essential to the well-being of these areas, and the resources of IFFA are available to both public and private sectors of the community to help establish appropriate management and conservation strategies. It is a primary objective of the association to research, collect and disseminate information to relevant groups and individuals.

The Indigenous Flora and Fauna Association meets at 8 p.m. on the last tuesday of each month at the Environment Centre, First Floor, Ross House, 247 Flinders Lane, Melbourne (between Swanston and Elizabeth Streets). To get in, press the doorbell on the right hand side of the door. New members are welcome.

Details of research, education programs, excursions, restoration projects and other activities are in the association's newsletter 'Indigenotes', or contact IFFA c/o Botany Department, La Trobe University, Bundoora 3083.



X1  
GREY  
PARROT-PEA  
*Dillwynia*  
*cinerascens*



11785  
CRESTED  
SHRIKE-TIT X 1/2